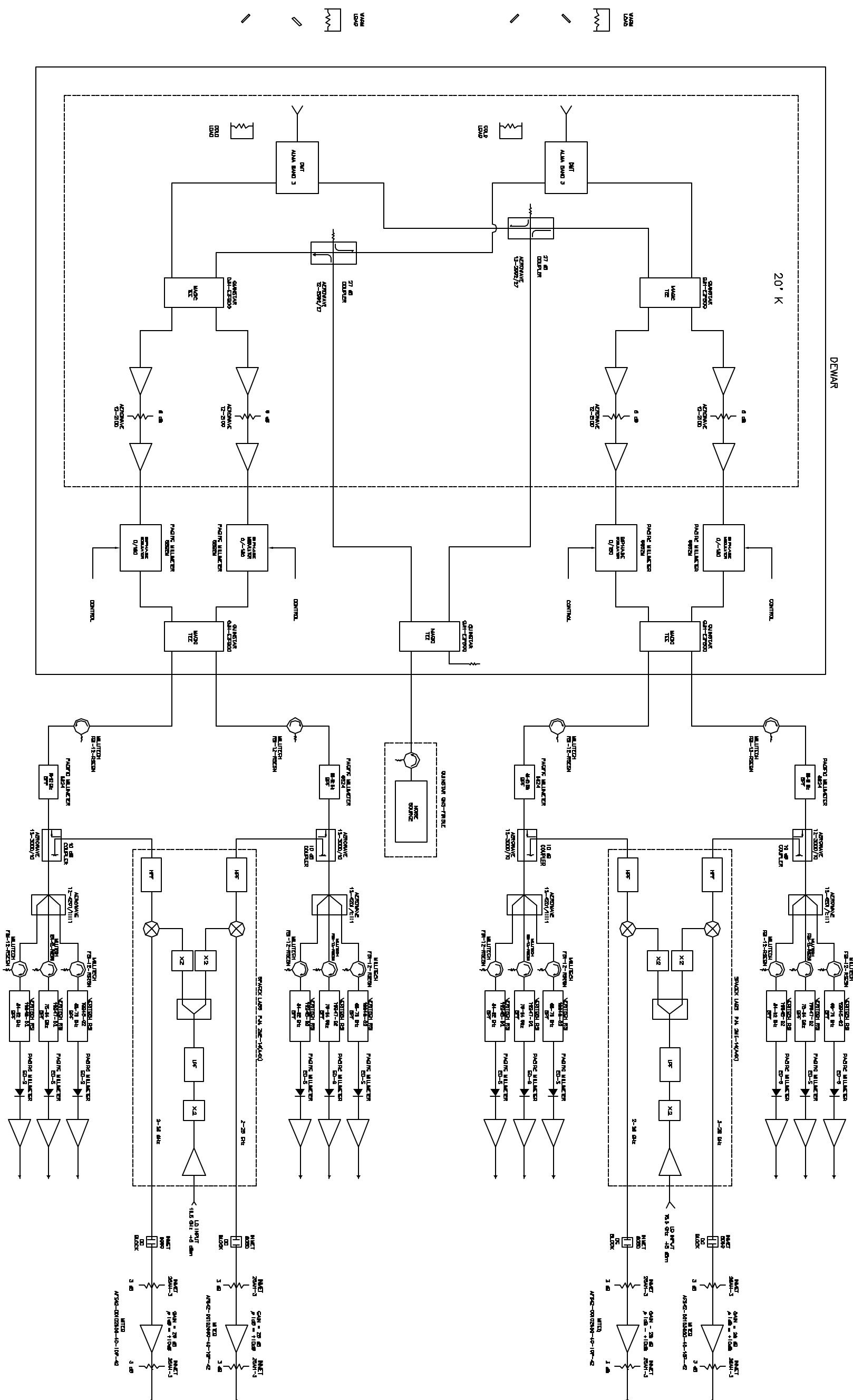


68-92 GHz



**NATIONAL RADIO ASTRONOMY OBSERVATORY**

PROJECT TITLE: 1010

PROPOSER: CARL SWAN RESEARCH BLOCK DESIGN

DATE: 11/14/02

SCALE: NO SCALE

UNITS: DIMENSIONS

REVISIONS: 1 OF 1

PROJECT NO: D10310K001

APPROVED BY: [Signature]

DATE: 11/14/02