

NOTE 1:

CENTER OF GRAVITY FOR RECEIVER/FEED PACKAGE WILL BE LOCATED WITHIN 18" OF MOUNTING FLANGE FEED PACKAGE TO WEIGH UP TO 1500# MAXIMUM.

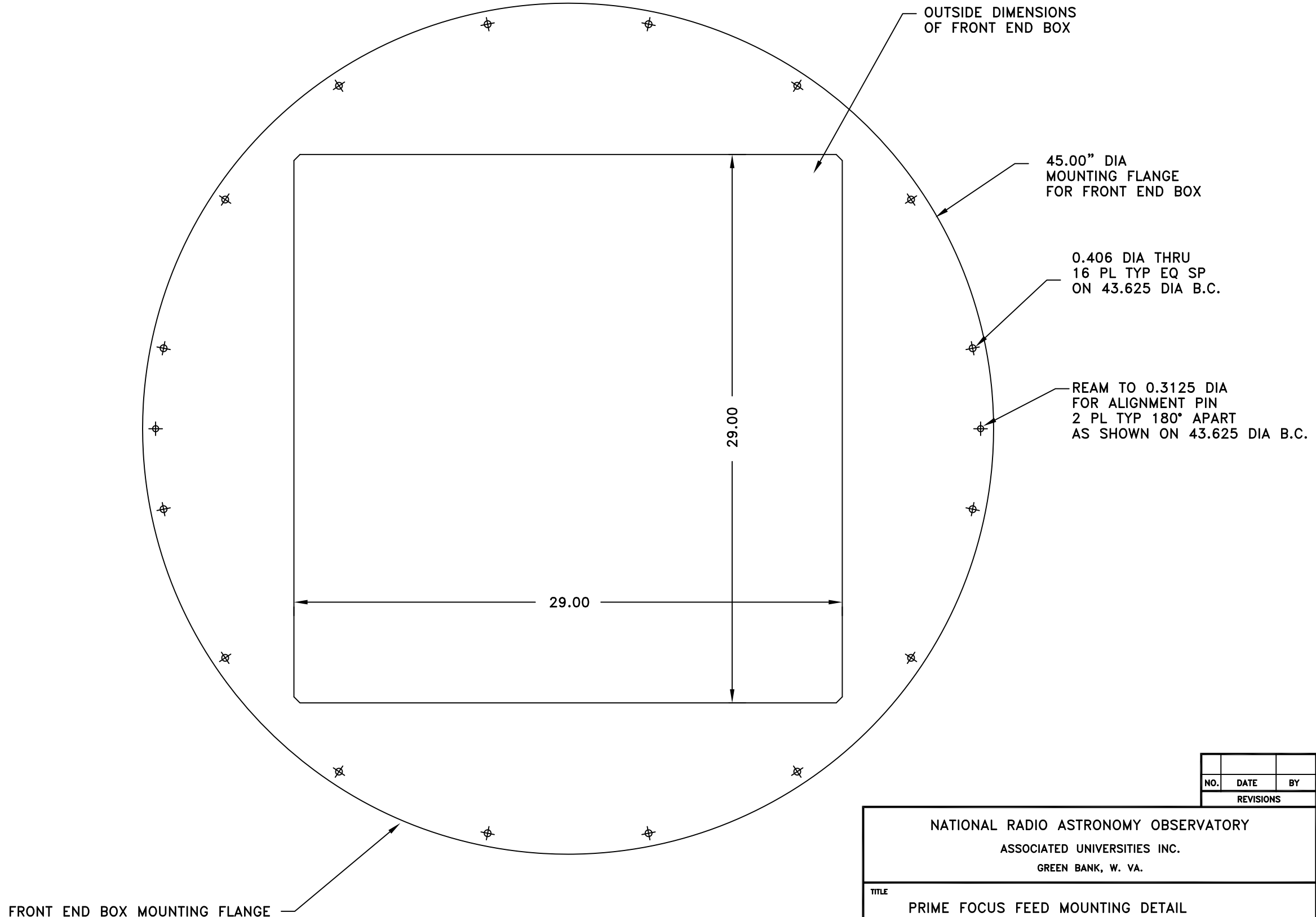
NOTE 2:

D = 54" NOMINAL AT CENTER OF FOCUS TRAVEL

NO.	DATE	BY
3	12/09/09	RET

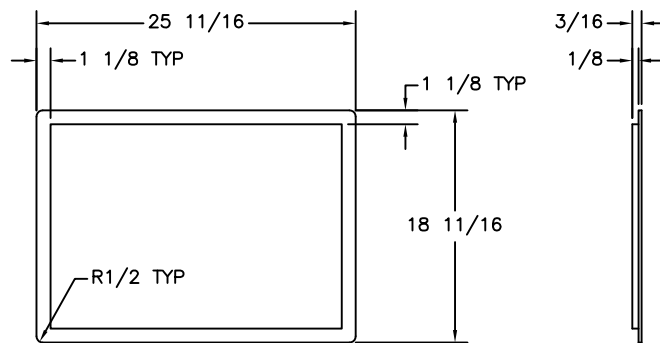
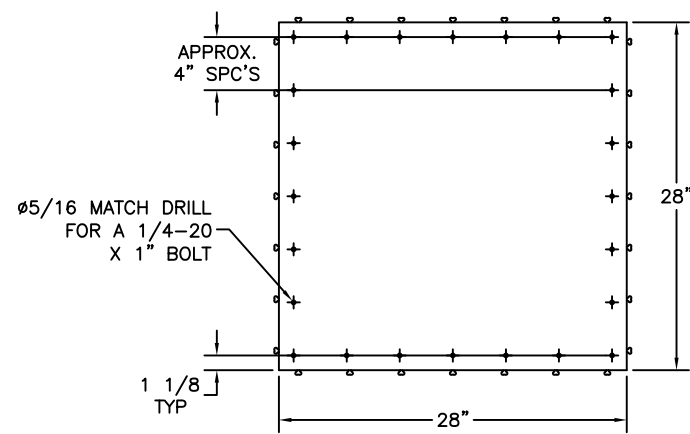
REVISIONS

NATIONAL RADIO ASTRONOMY OBSERVATORY ASSOCIATED UNIVERSITIES INC. GREEN BANK, W. VA.					
TITLE					
PRIME FOCUS MECHANISM				SHEET 1 OF 2	
GBT					
DESIGN	DSEAMAN	5/10/90	RECOMMENDED BY		
DRAWN	DSEAMAN	5/10/90	ENGINEER	DSEAMAN	5/10/90
CHECKED			APPROVED		
	NAME	DATE		SIGNATURE	DATE
SCALE	NTS		No. C35102M047		REVISION 3

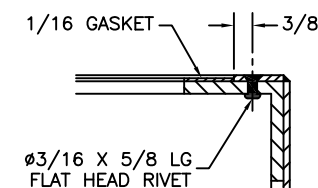
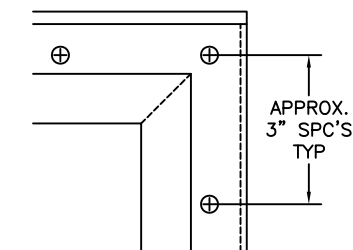
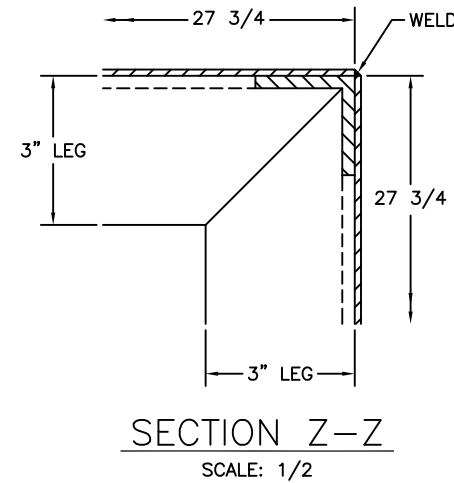


NO.	DATE	BY
REVISIONS		

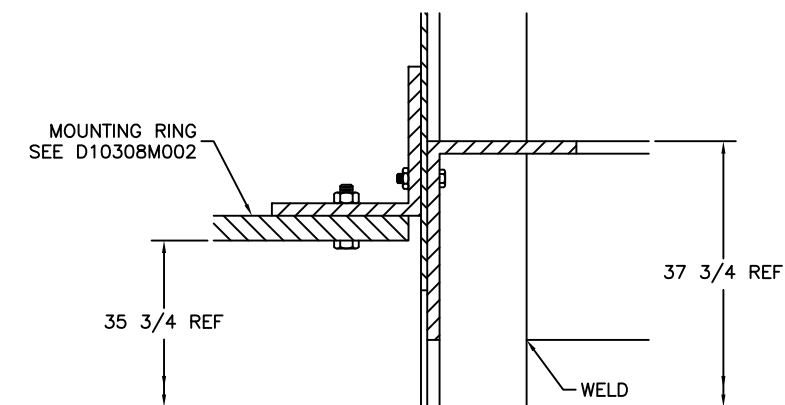
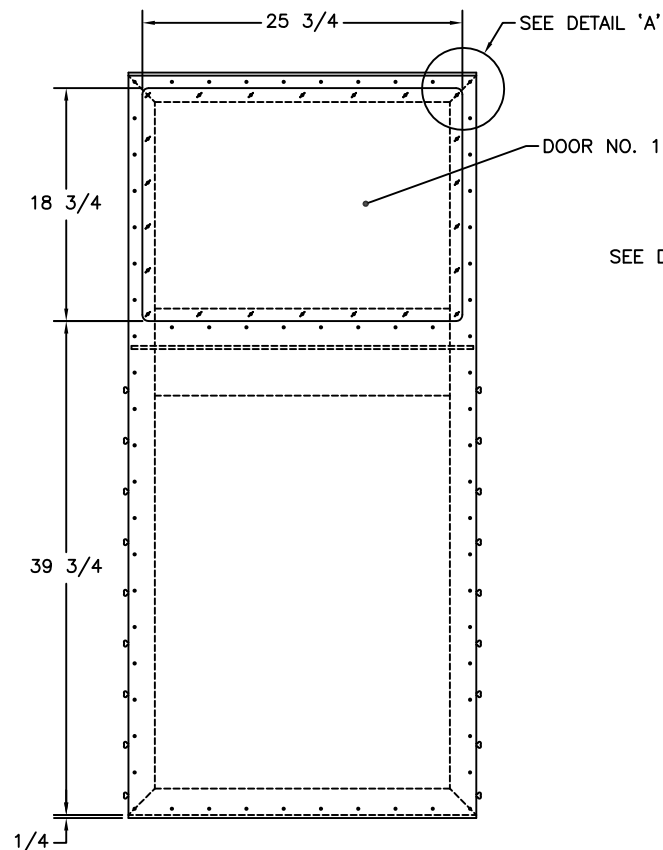
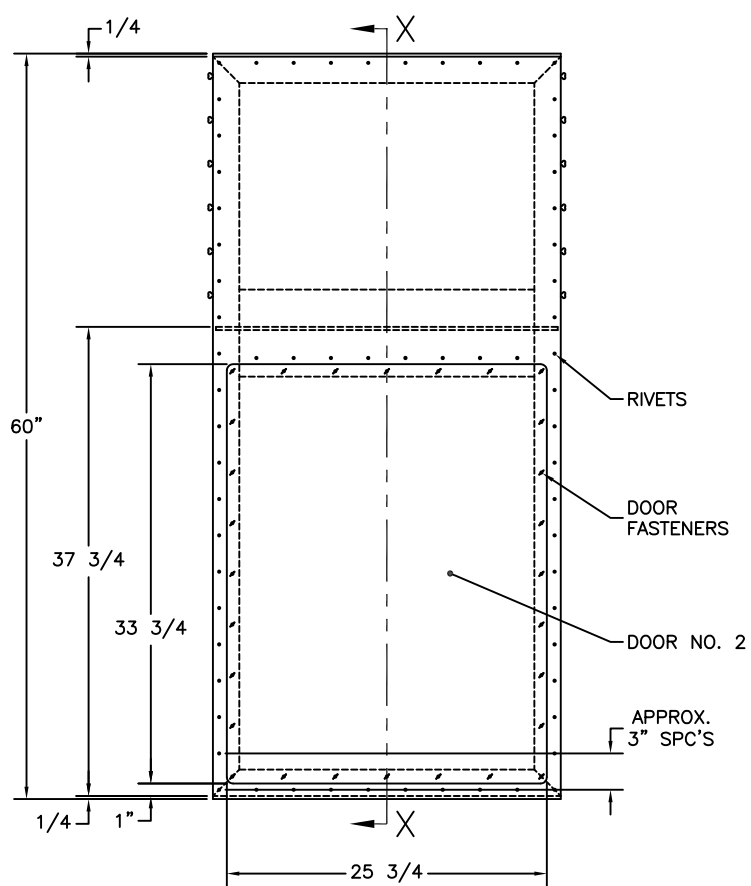
NATIONAL RADIO ASTRONOMY OBSERVATORY ASSOCIATED UNIVERSITIES INC. GREEN BANK, W. VA.					
TITLE					
PRIME FOCUS FEED MOUNTING DETAIL					
GBT				SHEET 2 OF 2	
DESIGN	DSEAMAN	5/10/90	RECOMMENDED BY		
DRAWN	DSEAMAN	5/10/90	ENGINEER	DSEAMAN	5/10/90
CHECKED			APPROVED		
	NAME	DATE		SIGNATURE	DATE
SCALE	NTS			NO. C35102M047	
					REVISION



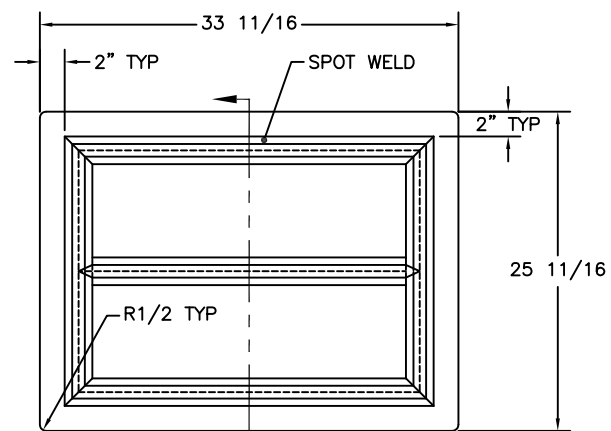
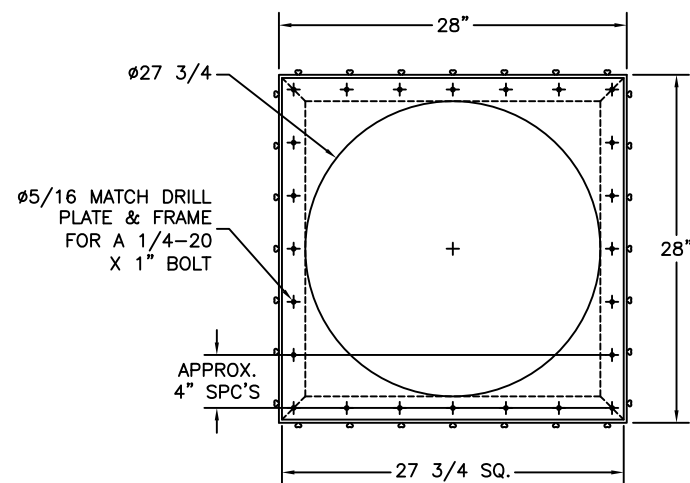
**DOOR NO. 1**  
SCALE: 1/8  
MATERIAL: ALUMINUM PLATE  
2 REQUIRED



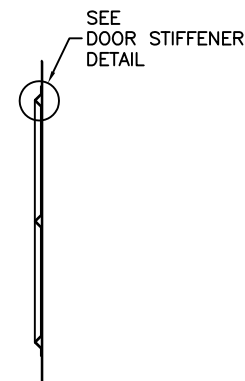
**DETAIL 'A'**  
SCALE: 1/2



**DETAIL 'B'**  
SCALE: 1/2



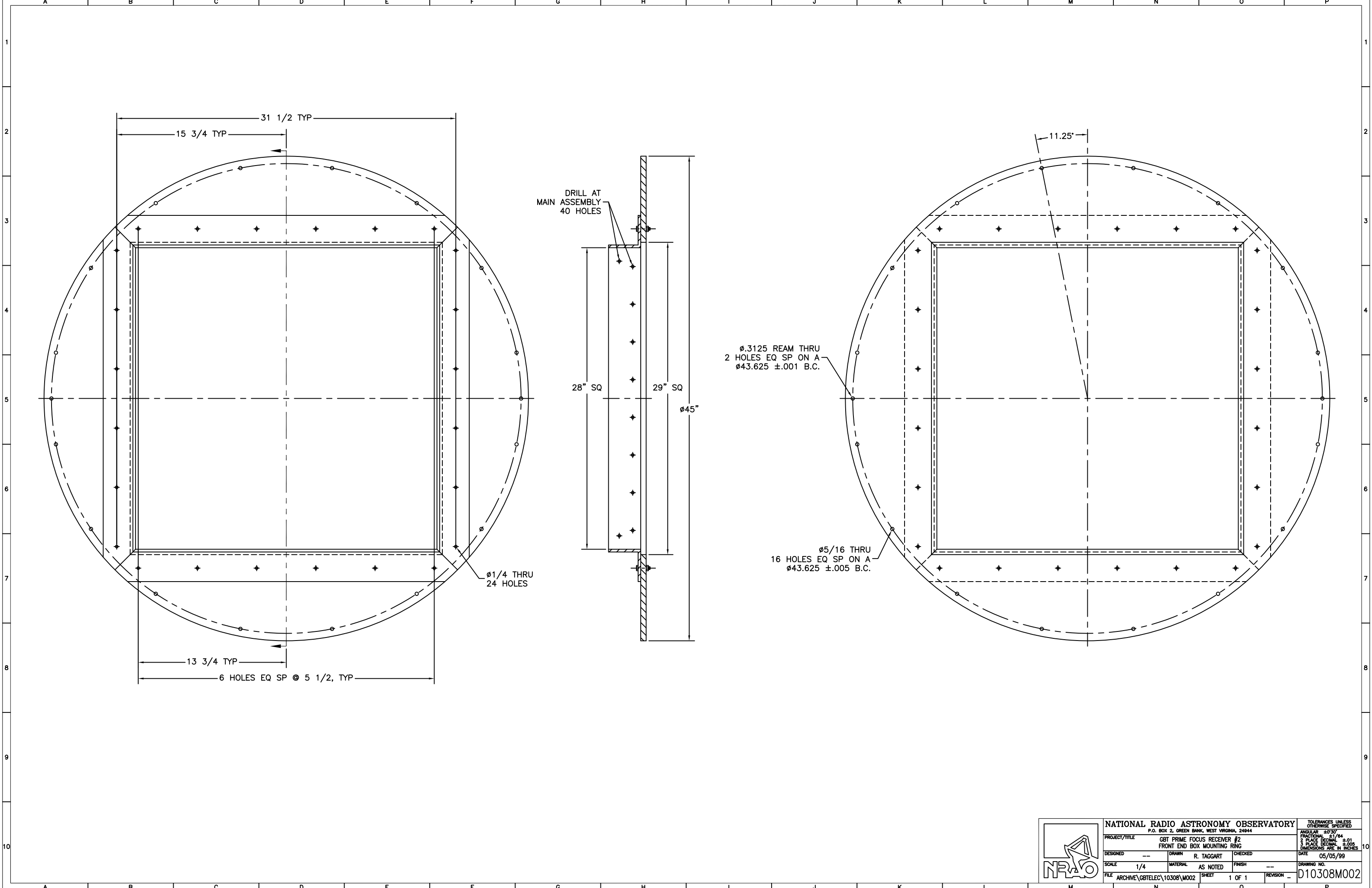
**DOOR NO. 2**  
SCALE: 1/8  
MATERIAL: 1/16 ALUMINUM SHEET  
2 REQUIRED



**DOOR STIFFENER**  
SCALE: FULL  
MATERIAL: 1/16 ALUMINUM SHEET

NOTE:  
THIS DRAWING HAS BEEN COPIED FROM THE MYLAR ORIGINAL OF DRAWING #36D00072, DRAWN APRIL 30, 1965 BY J. F. ELLIOTT.

<b>NATIONAL RADIO ASTRONOMY OBSERVATORY</b>				P.O. BOX 2, GREEN BANK, WEST VIRGINIA, 24944		TOLERANCES UNLESS OTHERWISE SPECIFIED	
PROJECT/TITLE				GBT PRIME FOCUS RECEIVER #2		ANGULAR ±1/30"	
DESIGNED ---				DRAWN R. TAGGART		CHECKED ---	
SCALE 1/8				MATERIAL AS NOTED		FINISH ---	
FILE ARCHIVE\GBTELEC\10308\M001				SHEET 1 OF 1		REVISION ---	
						DATE 05/04/99	
						DRAWING NO. D10308M001	



DRILL AT  
MAIN  
ASSEMBLY  
40 HOLES

Ø.3125 REAM THRU  
2 HOLES EQ SP ON A  
Ø43.625 ±.001 B.C.

Ø5/16 THRU  
16 HOLES EQ SP ON A  
Ø43.625 ±.005 B.C.

Ø1/4 THRU  
24 HOLES



<b>NATIONAL RADIO ASTRONOMY OBSERVATORY</b> <small>P.O. BOX 2, GREEN BANK, WEST VIRGINIA, 24944</small>				<small>TOLERANCES UNLESS OTHERWISE SPECIFIED</small> ANGULAR ±0.30° FRACTIONAL ±1/64 2 PLACE DECIMAL ±.01 3 PLACE DECIMAL ±.005 DIMENSIONS ARE IN INCHES
PROJECT/TITLE <b>GBT PRIME FOCUS RECEIVER #2</b> <b>FRONT END BOX MOUNTING RING</b>				DATE 05/05/99
DESIGNED ---	DRAWN R. TAGGART	CHECKED ---	DRAWING NO. <b>D10308M002</b>	
SCALE 1/4	MATERIAL AS NOTED	FINISH ---	SHEET 1 OF 1	REVISION -
FILE ARCHIVE\GBTTELEC\10308\M002				